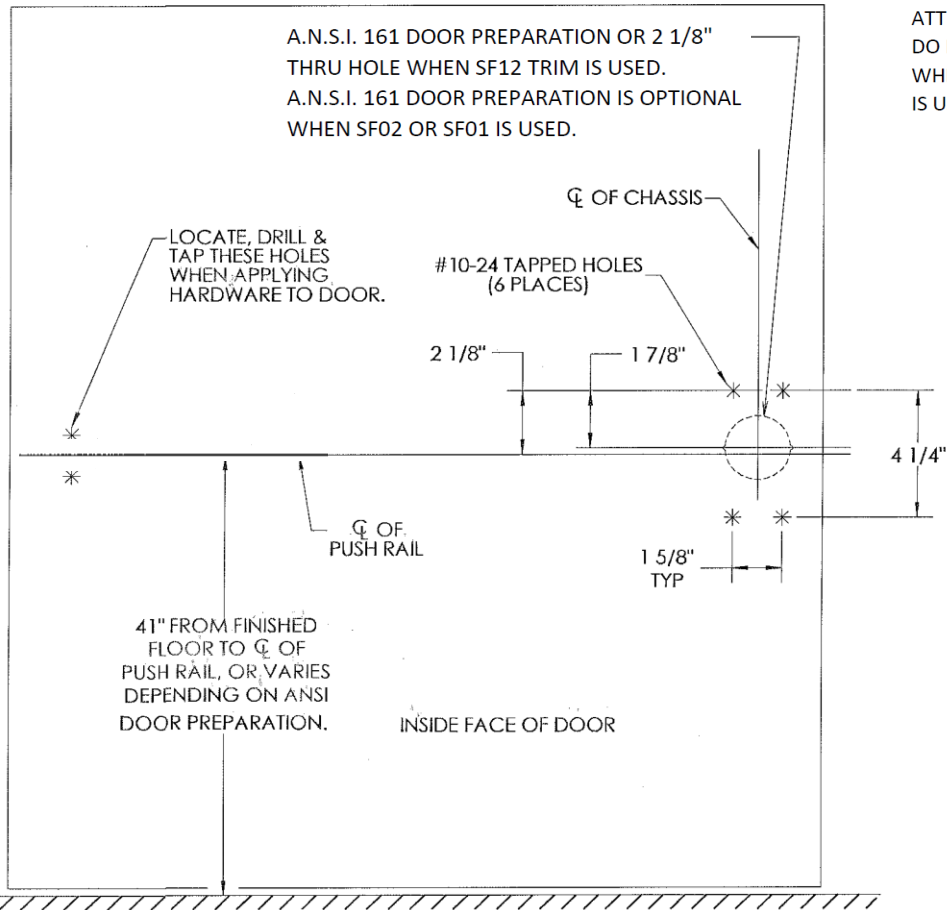
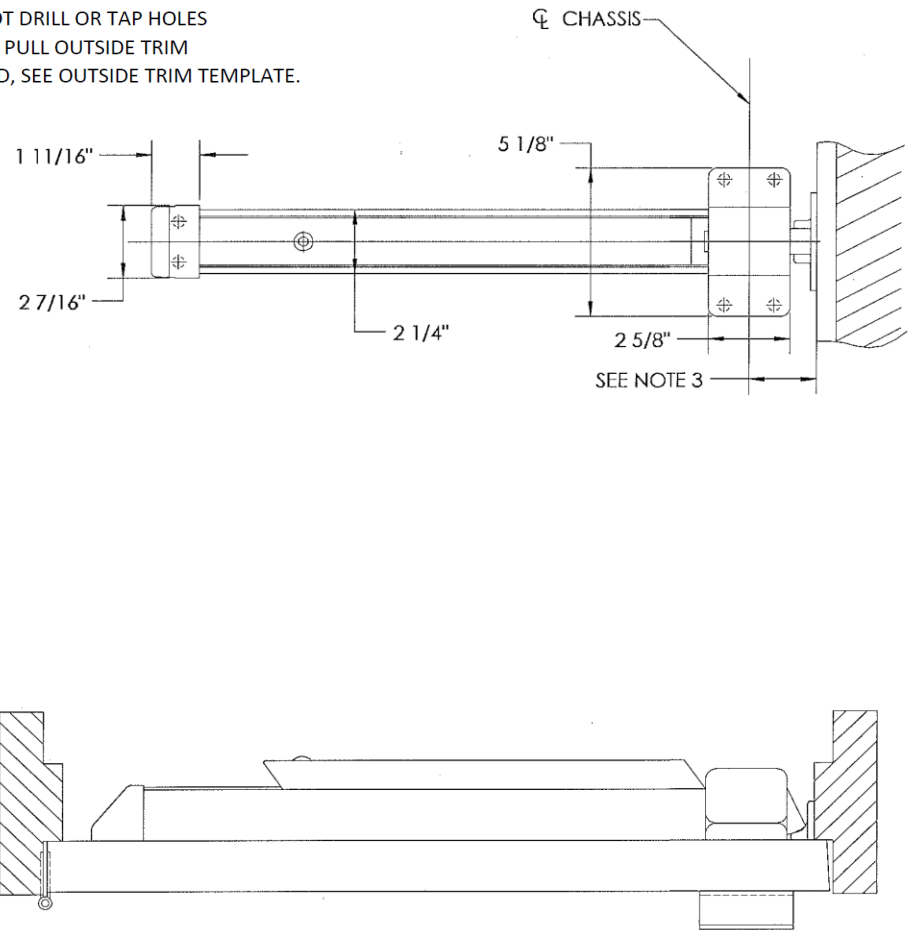


A.N.S.I. 161 DOOR PREPARATION OR 2 1/8" THRU HOLE WHEN SF12 TRIM IS USED.
 A.N.S.I. 161 DOOR PREPARATION IS OPTIONAL WHEN SF02 OR SF01 IS USED.



ATTENTION:
 DO NOT DRILL OR TAP HOLES
 WHEN PULL OUTSIDE TRIM
 IS USED, SEE OUTSIDE TRIM TEMPLATE.



NOTES:

- 4 SURFACE OF DOOR WHERE EXIT DEVICE IS TO BE APPLIED MUST BE FLUSH.
- 3 SEE THE STRIKE TEMPLER FOR MOUNTING LOCATION OF STRIKE.
- 2 ALL HOLES TO BE TAPPED SHOULD BE DRILLED AND TAPPED IN FIELD.
- 1 TOLERANCE ON ALL DIMENSIONS ± 1/32".

ARROW™

ASSA ABLOY

S1250 RIM EXIT DEVICE WITH PULL TRIM

REV A	DATE 08 / 16
----------	-----------------

S1250PULL

1